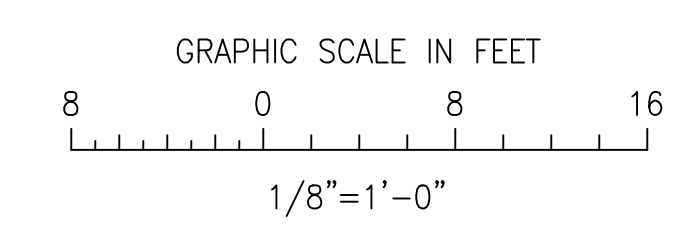
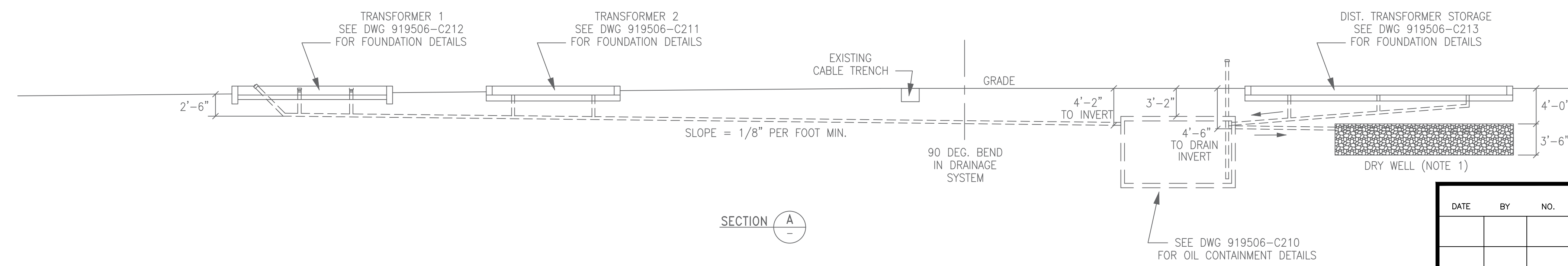


- NOTES:**
1. DRY WELL TO BE FILLED WITH CRUSHED STONE OF UNIFORM 1 1/2" SIZE AND LINED WITH GEOTEXTILE FABRIC TO ALLOW DRAINAGE.
 2. SEE DWGS 919506-C210, C211, C212 & C213 FOR FOUNDATION DETAILS.
 3. MATCH NEW FOUNDATION ELEVATION TO EXISTING.

FOUNDATION LIST				
TYPE (MK-)	NO. REQ'D	FOUNDATION TITLE	DWG. NO.	ELEVATION TOP OF FDN.
A-26	1	15KV CIRCUIT BREAKER FDN	C214-0	102.90' SEE NOTE 4
B-26	1	23KV 3PH VT & DISCONNECT SWITCH STRUCTURE FDN	C214-0	102.60' SEE NOTE 4

2026 CONSTRUCTION NOTES

1. THIS DRAWING BASED OFF [919506-C200-ASBUILT.dwg]
2. REFER TO DRAWING C300-0 FOR STRUCTURAL NOTES
3. REFER TO DRAWING C100-2 FOR ELEVATIONS
4. EXISTING TOP OF CONCRETE ELEVATION DATA WAS NOT AVAILABLE PRIOR TO COMMENCING WORK. THE CONTRACTOR SHALL VERIFY EXISTING GRADE ELEVATION AT THE NEW FOUNDATION LOCATIONS AND REPORT THOSE TO THE ENGINEER. THE CONTRACTOR SHALL ENSURE THAT THE FOUNDATION REVEAL DOES NOT EXCEED THE LIMITS SHOWN ON THE FOUNDATION DETAILS.



ADDITIONS

REVISION 2 ONLY



REVISIONS				DATE	
DATE	BY	NO.	DESCRIPTION	DATE	NO.
02/20/26	RLC/TK RLC/OK	2	ISSUED FOR CONSTRUCTION - REBUILD OF CONTROL HSE WO#6306603-5819-36204	10/15/01	
4/13/09	KSS TRB	1	AS BUILT		

PLM	ELECTRIC POWER ENGINEERING
35 MAIN STREET (508) 435-0200 HOPKINTON, MA 01748	
IPSWICH MUNICIPAL LIGHT DEPARTMENT IPSWICH, MASSACHUSETTS	
FOWLERS LANE SUBSTATION NO. 5	
FOUNDATION PLAN	
SCALE 1/8"=1'-0"	NO. 919506-C200-2