

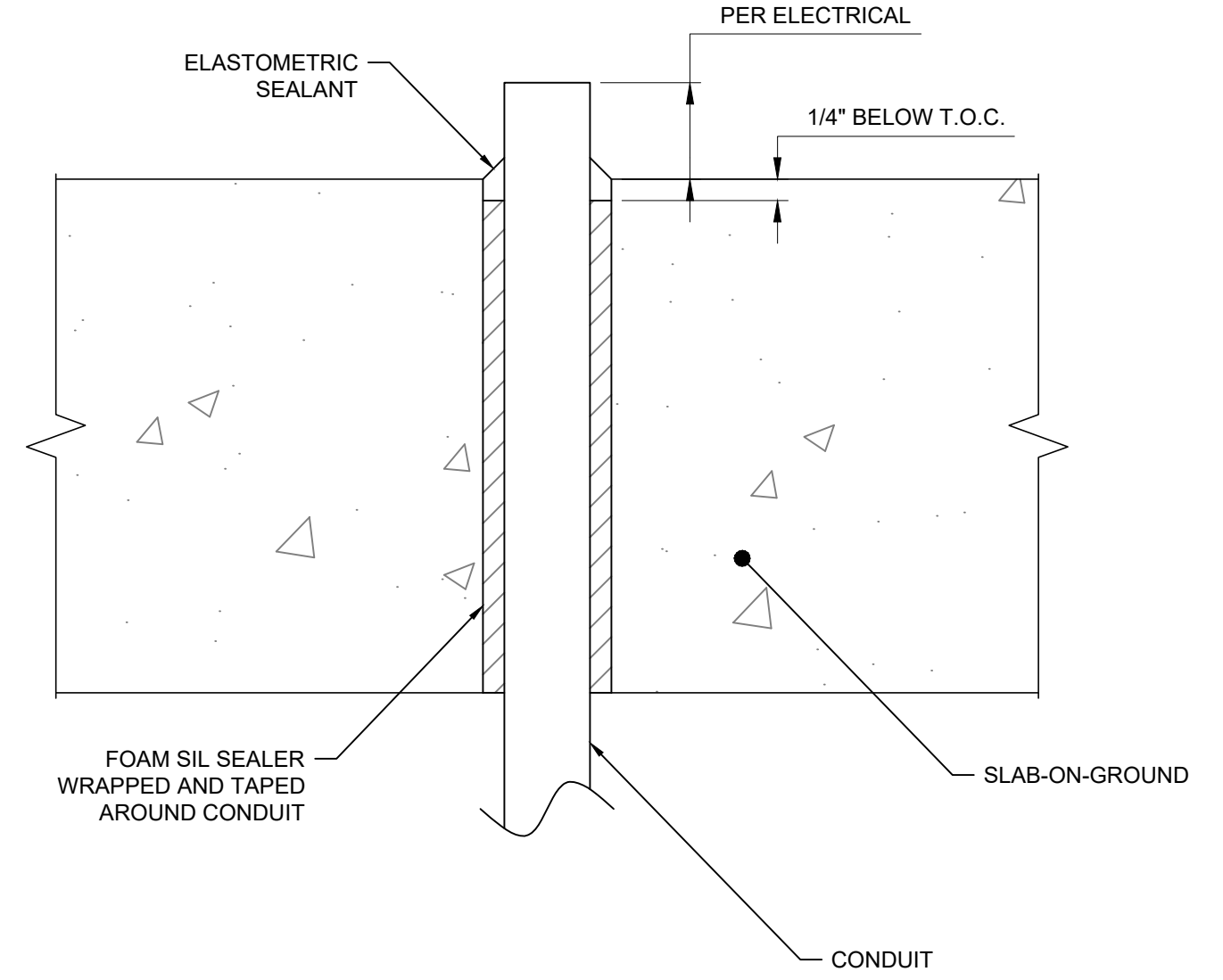
NOTES
 1. REFER TO DRAWING C200-2 FOR FOUNDATION PLAN
 2. REFER TO DRAWING C300-0 FOR STRUCTURAL NOTES

DRAWING REFERENCE(S)
 STRUCTURAL NOTES C300-0
 FOUNDATION PLAN C200-2

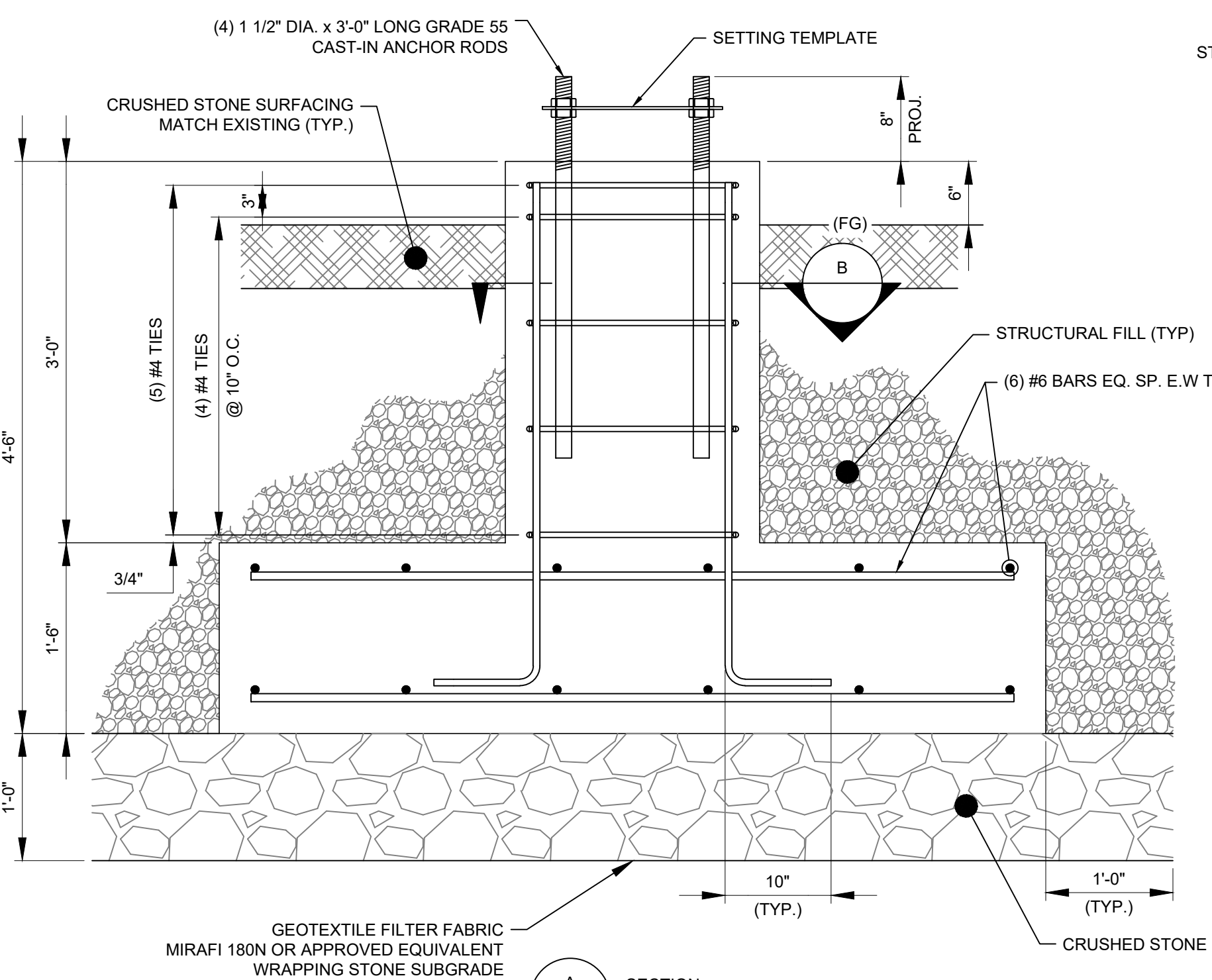
EQUIPMENT REFERENCE(S)
 CIRCUIT BREAKER: ABB 15kV, 1200A, 1B09667

FOUNDATION PLAN
 23KV 3PH VT & DISCONNECT SWITCH STRUCTURE FDN (1 REQ.) (MK. B-26)
 SCALE: 1" = 1'-0"

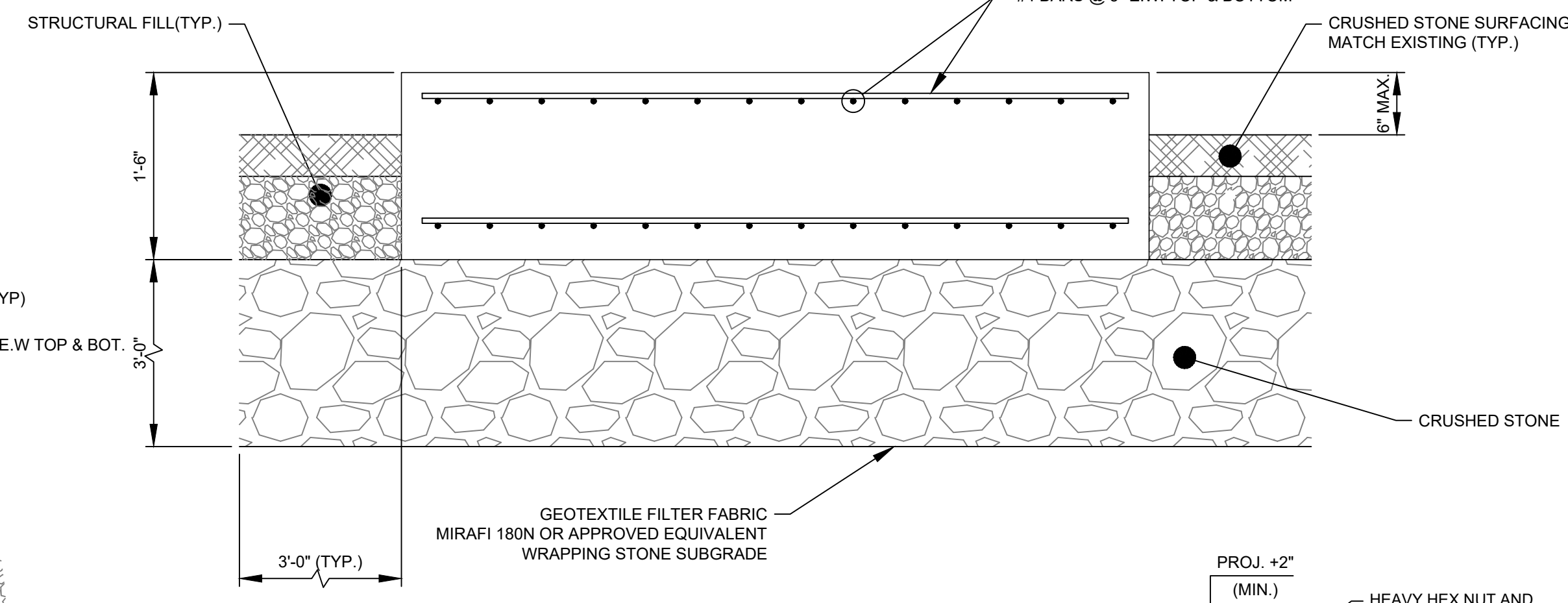
FOUNDATION PLAN
 15KV CIRCUIT BREAKER FDN (1 REQ.) (MK. A-26)
 SCALE: 1" = 1'-0"



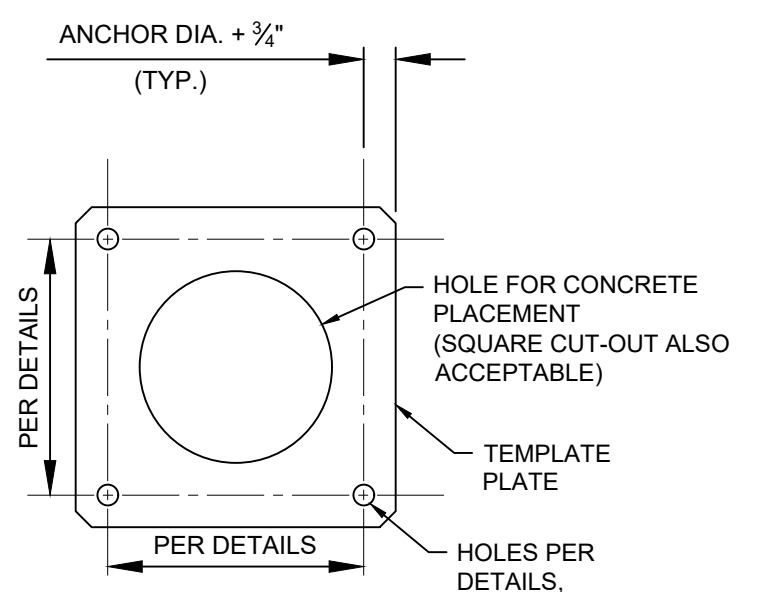
TYPICAL CONDUIT PENETRATION DETAIL
 FOR MAT FOUNDATIONS AND SLABS-ON-GROUND
 SCALE: N.T.S.



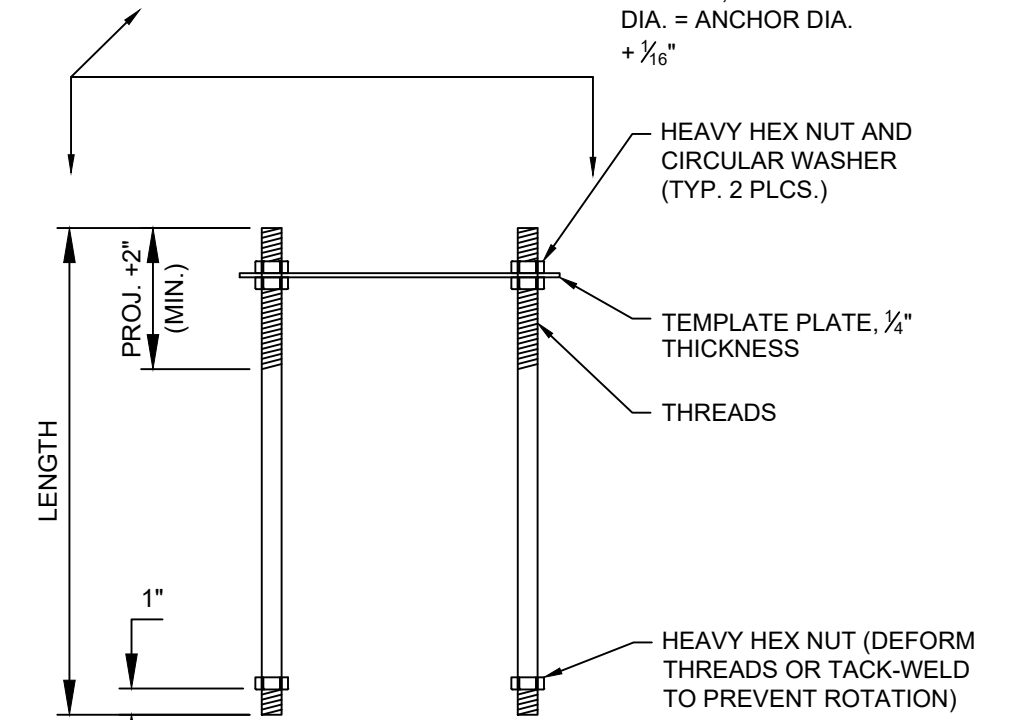
SECTION A
 SCALE: 1" = 1'-0"



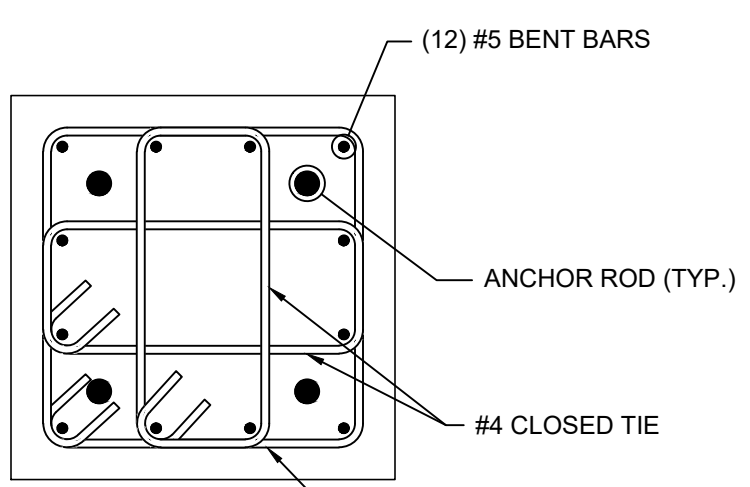
SECTION C
 SCALE: 1" = 1'-0"



TYPICAL CAST-IN ANCHOR ROD DETAIL
 SINGLE ANCHOR
 SCALE: N.T.S.

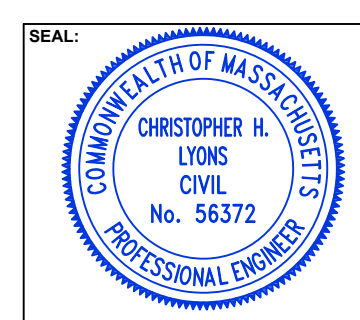


TYPICAL CAST-IN ANCHOR ROD DETAIL
 ANCHOR GROUP
 SCALE: N.T.S.



SECTION B
 SCALE: 1" = 1'-0"

NEW DRAWING



0	ISSUED FOR CONSTRUCTION	02/20/26	BTK	CHL	CHL
REV:	DESCRIPTION:	DATE:	DRWN:	CHKD:	APRVD:

RLC ENGINEERING
 267 Whitten Road
 Hallowell, ME 04347
 Phone 207-621-1077
 Fax 207-621-1177
 www.rlc-eng.com

FOWLERS LANE SUBSTATION No.5
LIGHTSHIFT BESS UPGRADES
IPSWICH ELECTRIC LIGHT DEPT
 IPSWICH, MASSACHUSETTS
 SCALE: 3/16" = 1'-0"

FOUNDATION DETAILS
 SHEET 5

DATE: 10/27/25
 DRAWN BY: RLC/BTK
 ENGIN'D BY: RLC/JWL
 PROJECT #: 25337
 DRAWING #: 919506-C214-0

2/19/2026 11:18 AM - BRENTK - N:ACTIVE PROJECTS\25337_IPSWICH_ELECTRIC_FOWLERS_LANE_#5_CONTROL_HOUSE\06-DRAFTING\WORKING DRAWINGS\CIVIL\919506-C214-0.DWG