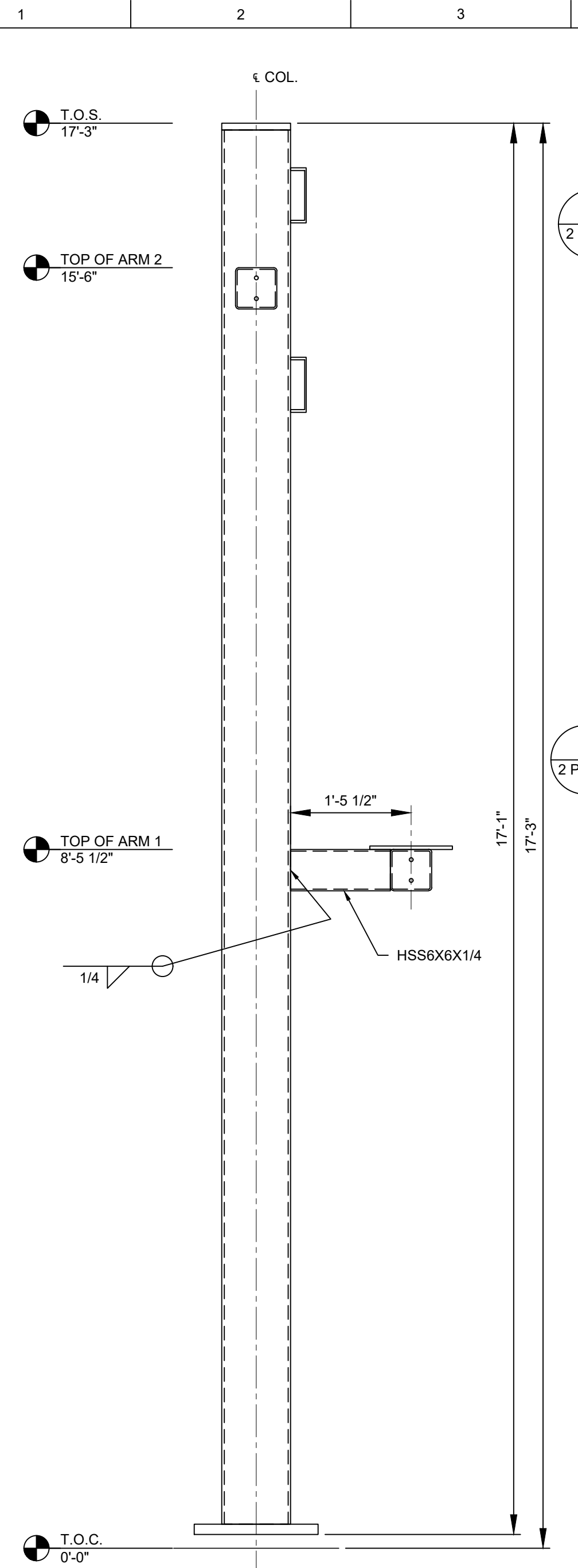
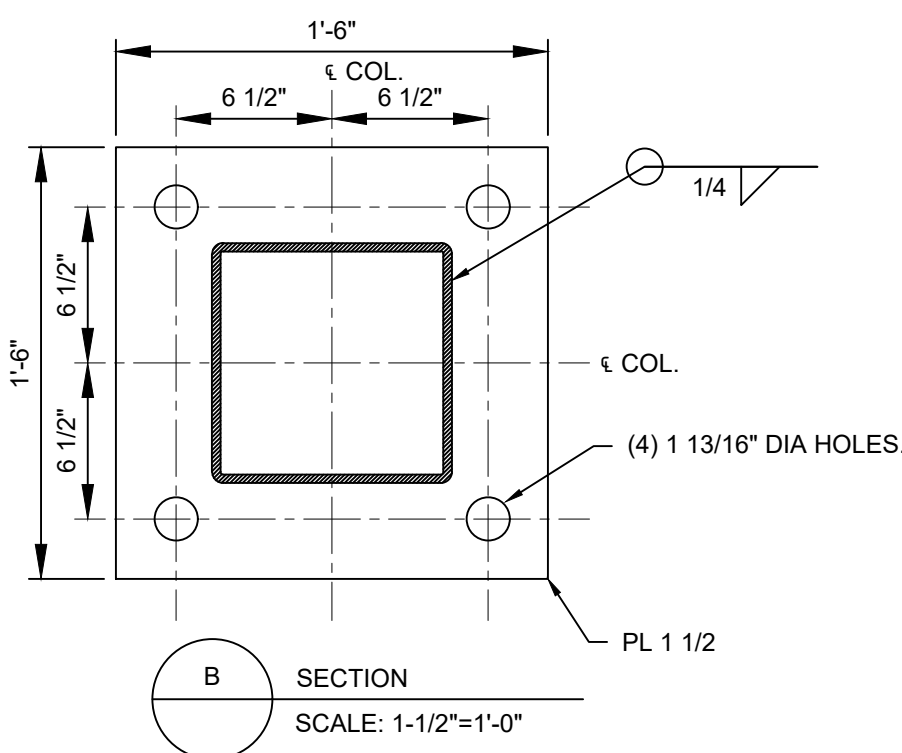


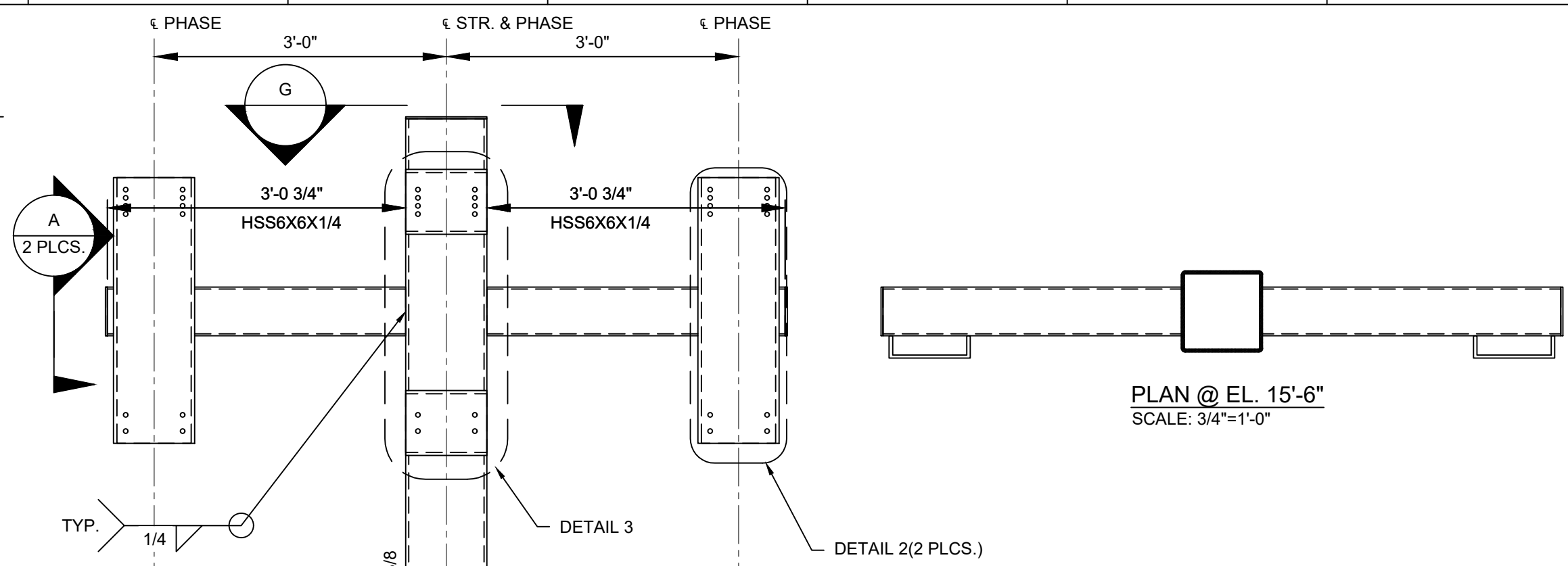
2/19/2026 9:29 AM - BRENTK - INACTIVE PROJECTS\25337\_IPSWICH\_ELECTRIC\_FOWLERS\_LANE\_IPSWICH\_CONTROL\_HOUSE\06-DRAFTING\WORKING DRAWINGS\CIVIL\919506-C301-0.DWG



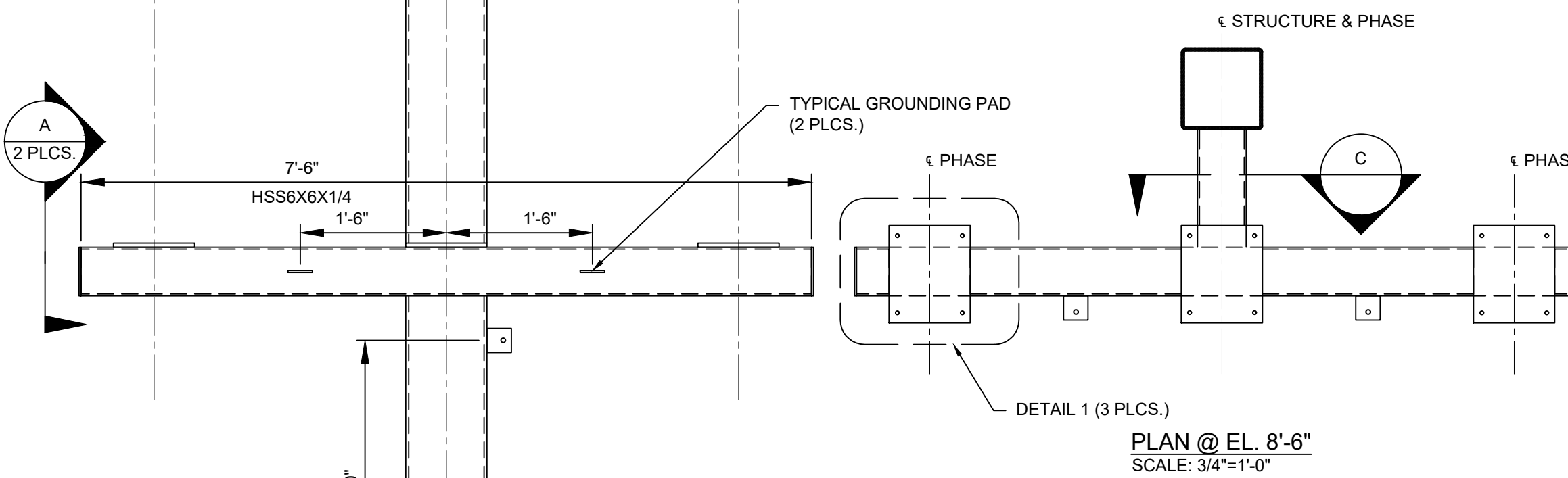
**SIDE ELEVATION**  
23kV 3PH VT & DISCONNECT SWITCH STRUCTURE(1 REQ'D.)  
SCALE: 3/4"=1'-0"



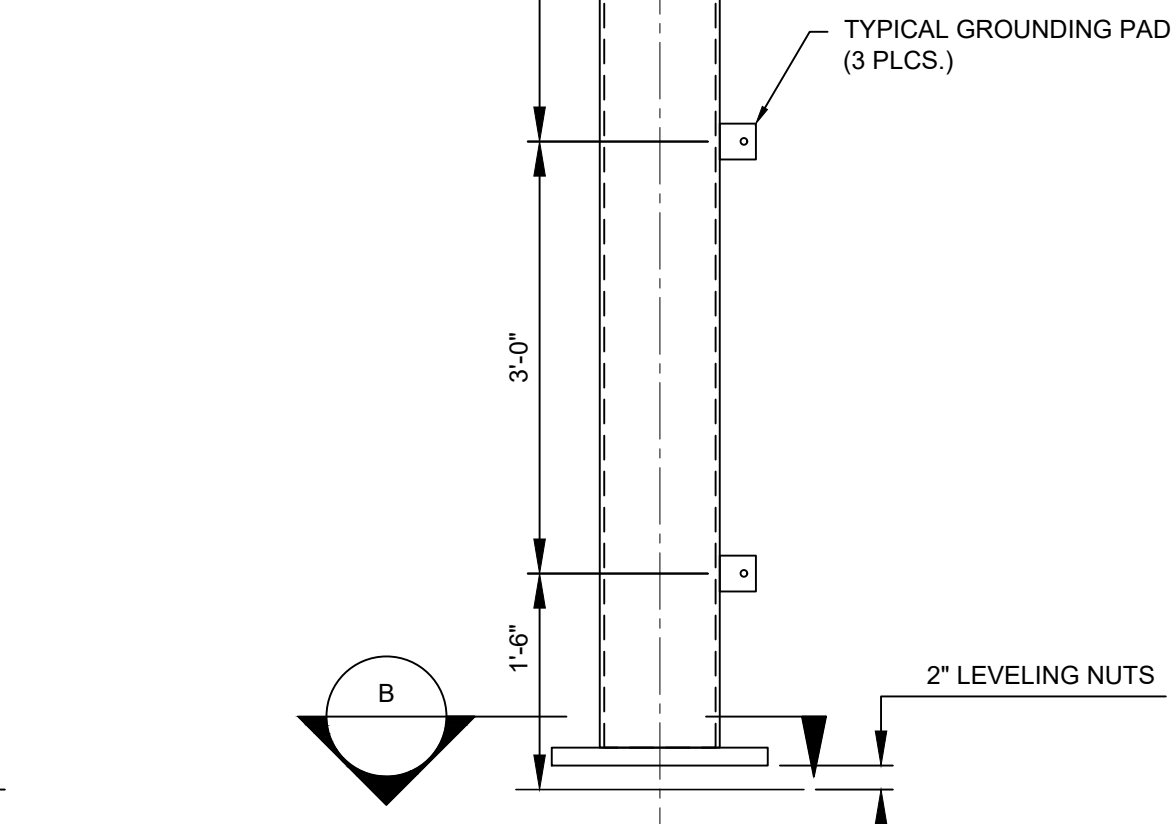
**B SECTION**  
SCALE: 1-1/2"=1'-0"



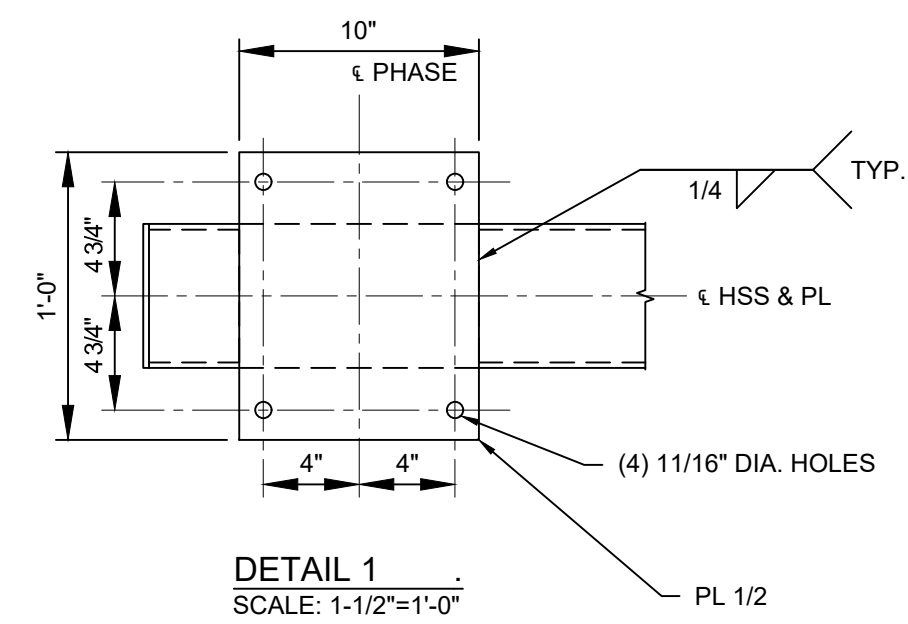
**PLAN @ EL. 15'-6"**  
SCALE: 3/4"=1'-0"



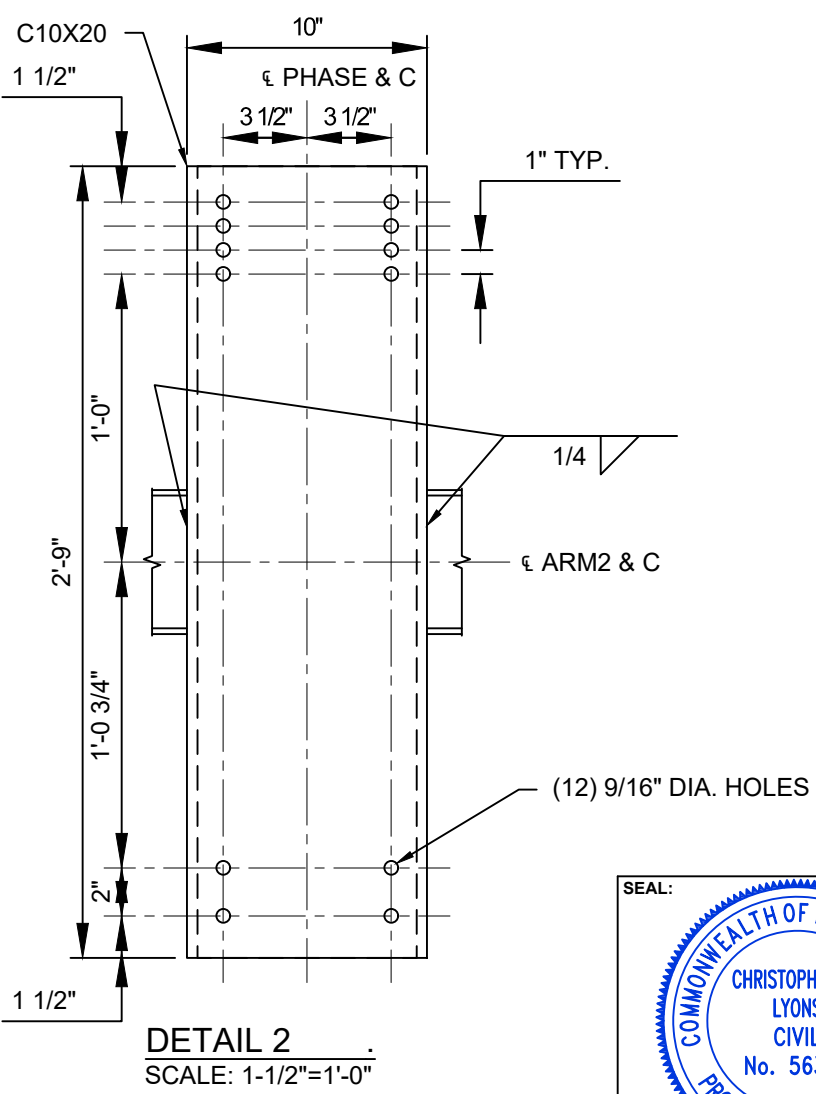
**PLAN @ EL. 8'-6"**  
SCALE: 3/4"=1'-0"



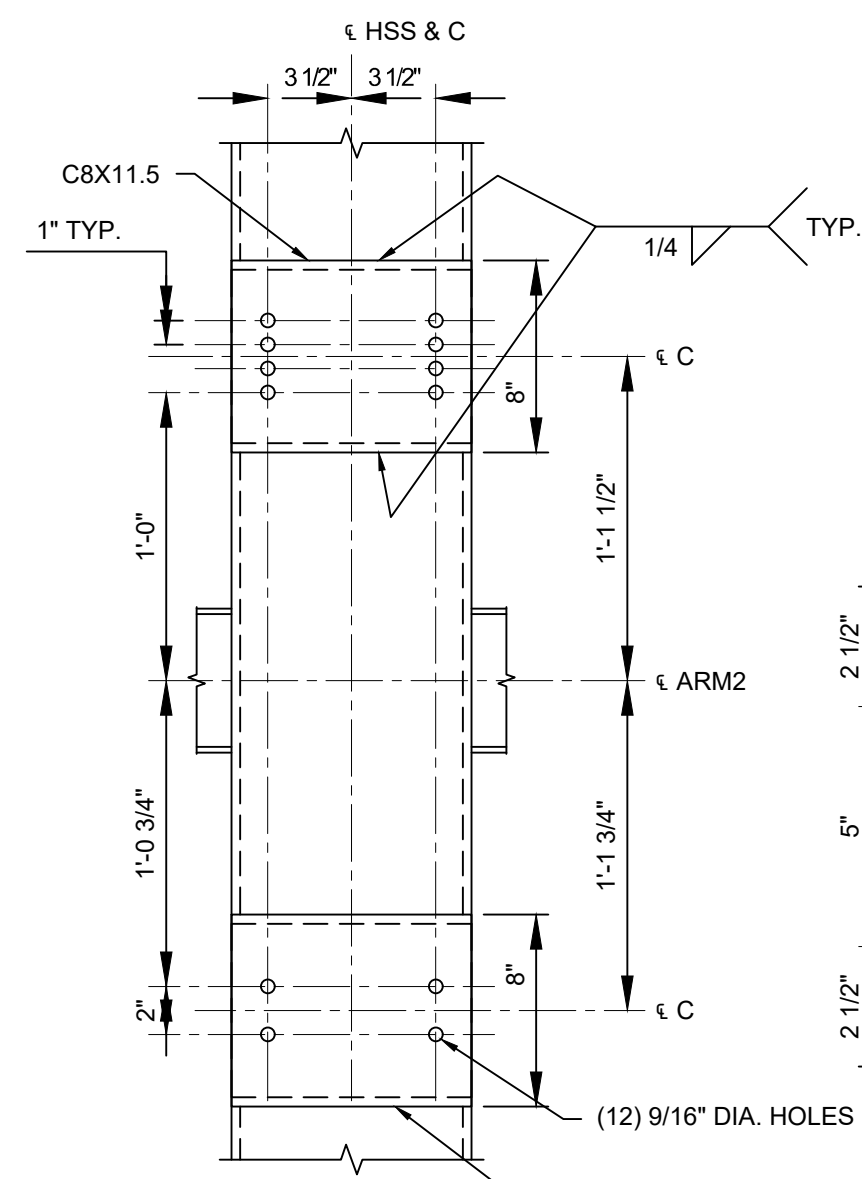
**FRONT ELEVATION**  
SCALE: 3/4"=1'-0"



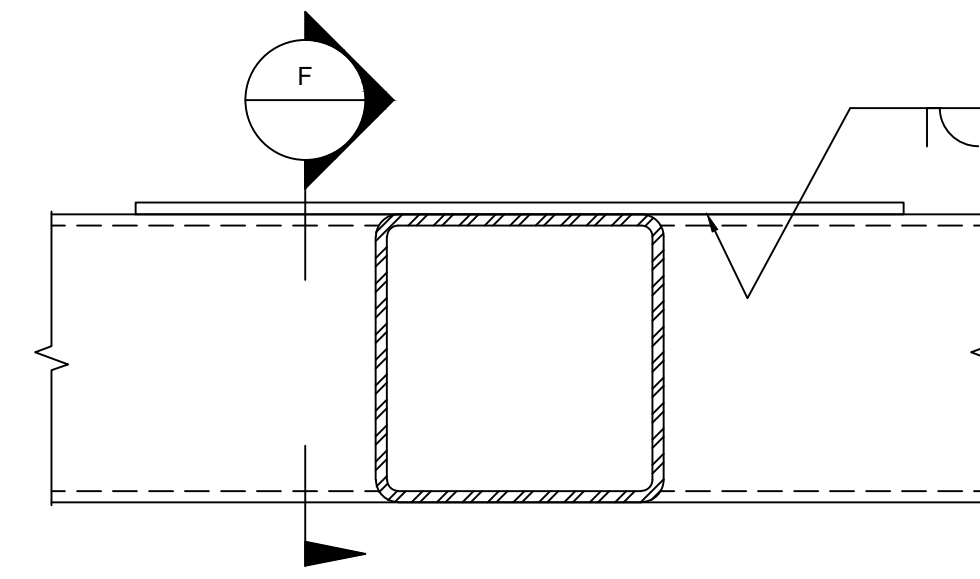
**DETAIL 1**  
SCALE: 1-1/2"=1'-0"



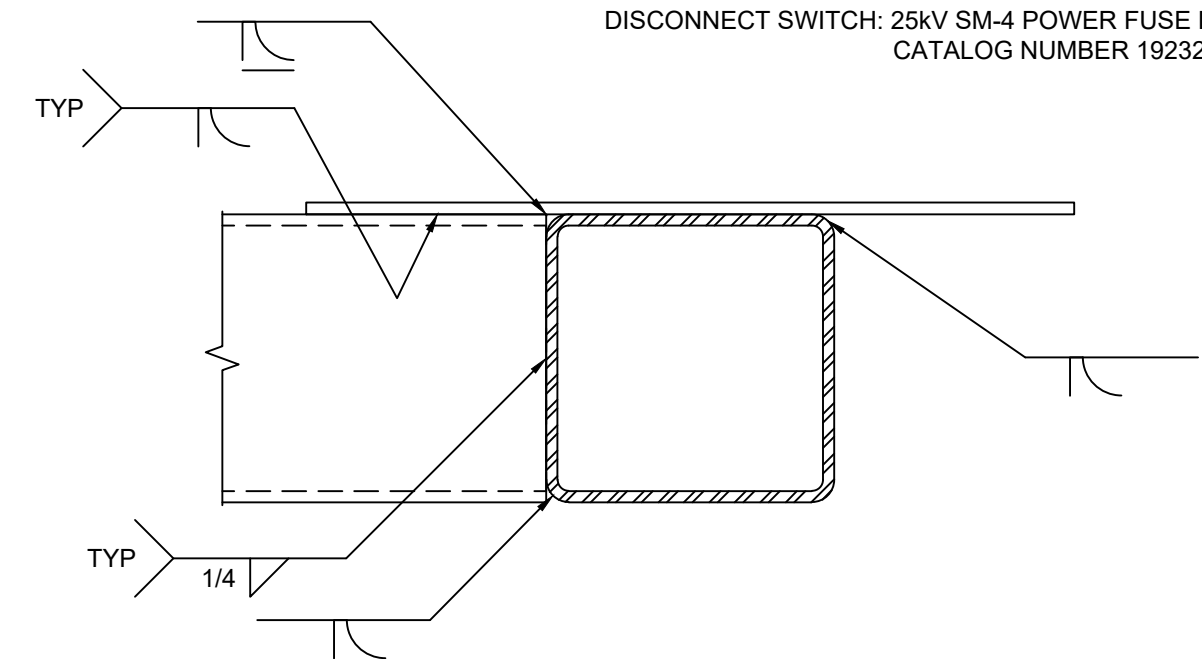
**DETAIL 2**  
SCALE: 1-1/2"=1'-0"



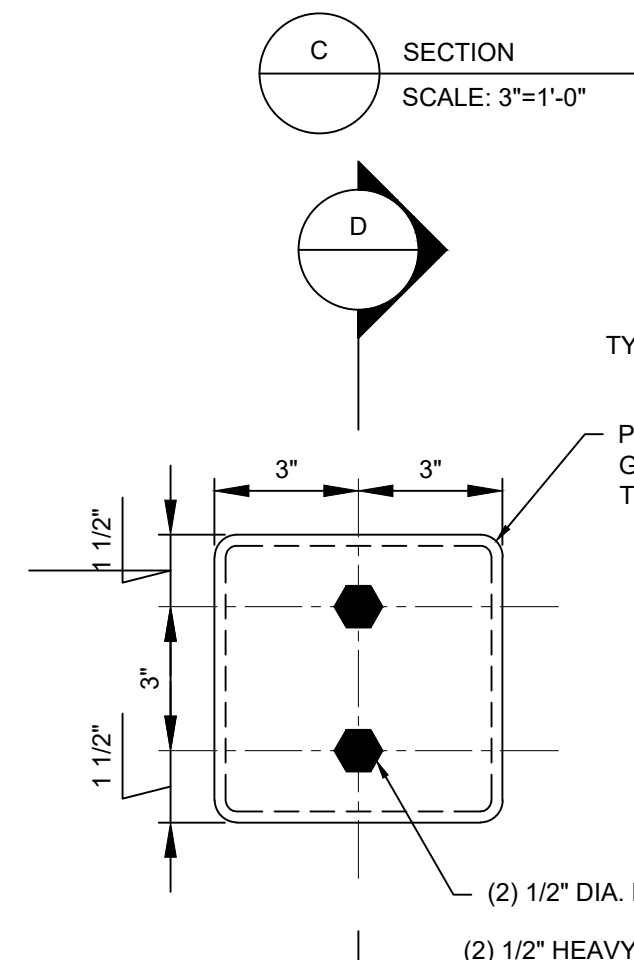
**DETAIL 3**  
SCALE: 1-1/2"=1'-0"



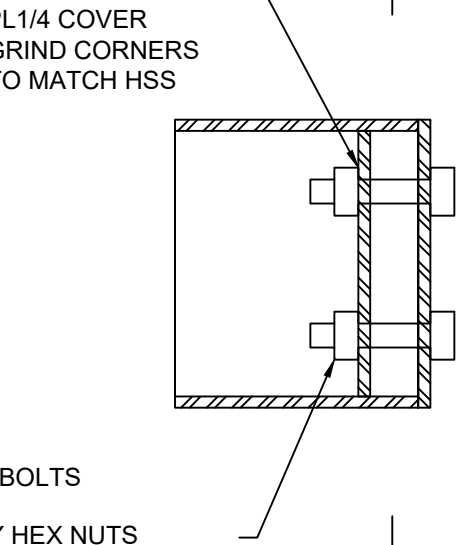
**F SECTION**  
SCALE: 3"=1'-0"



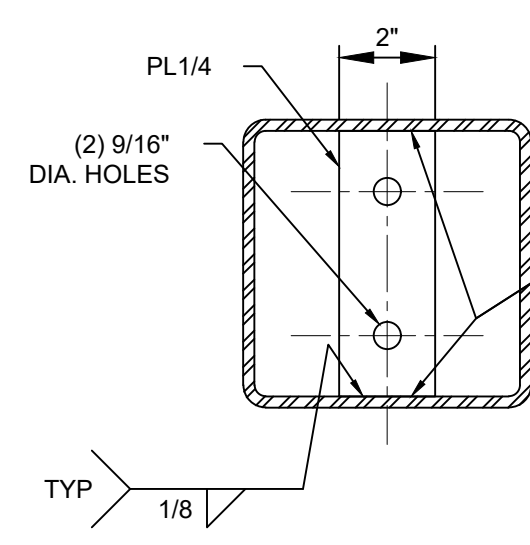
**F SECTION**  
SCALE: 3"=1'-0"



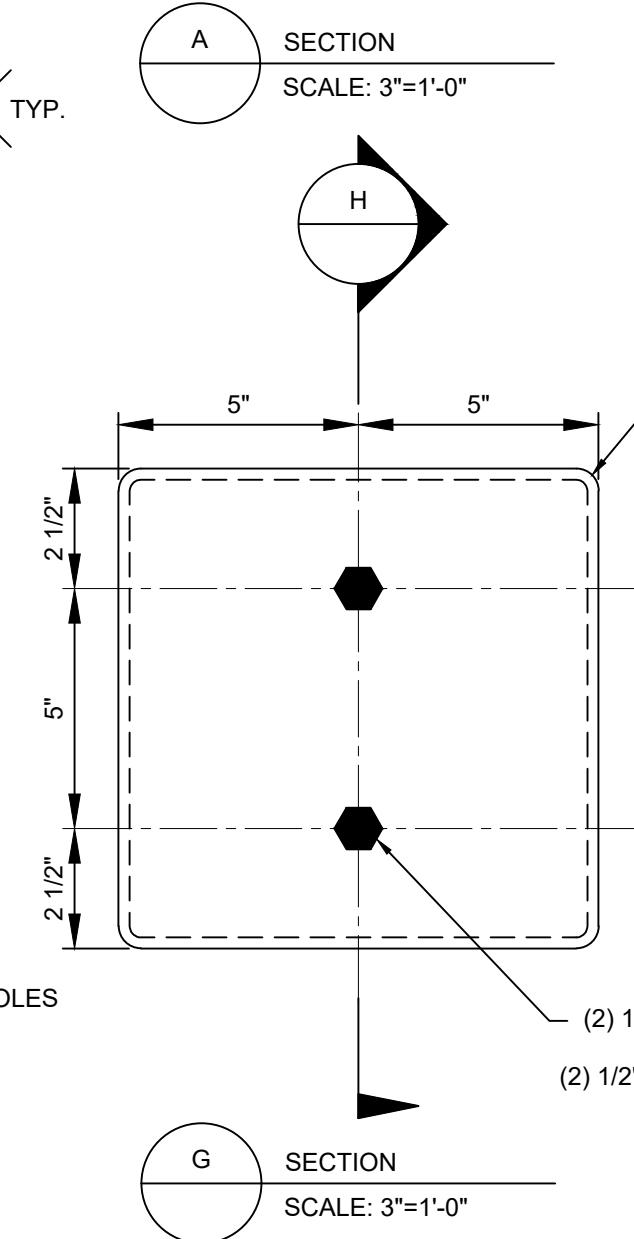
**C SECTION**  
SCALE: 3"=1'-0"



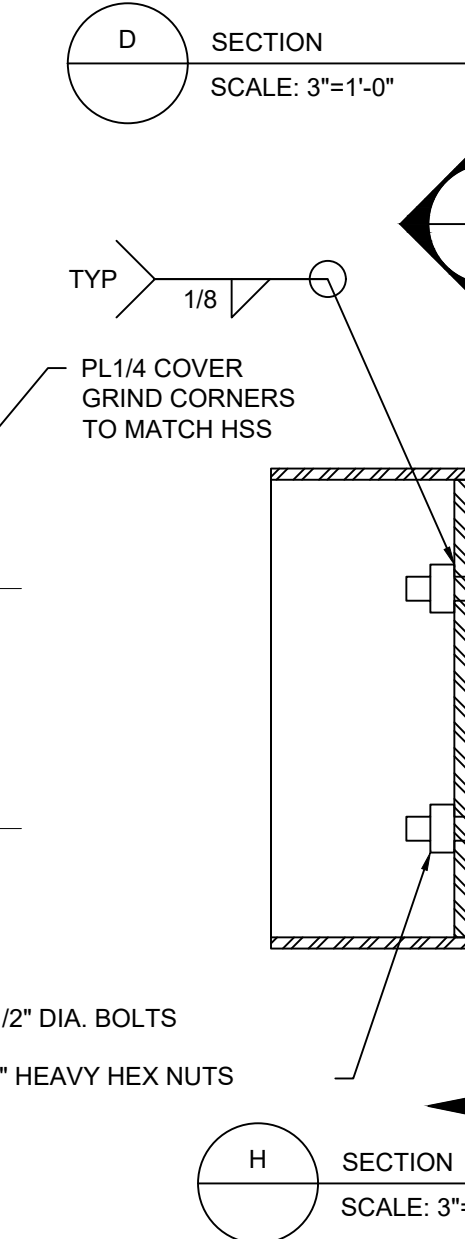
**D SECTION**  
SCALE: 3"=1'-0"



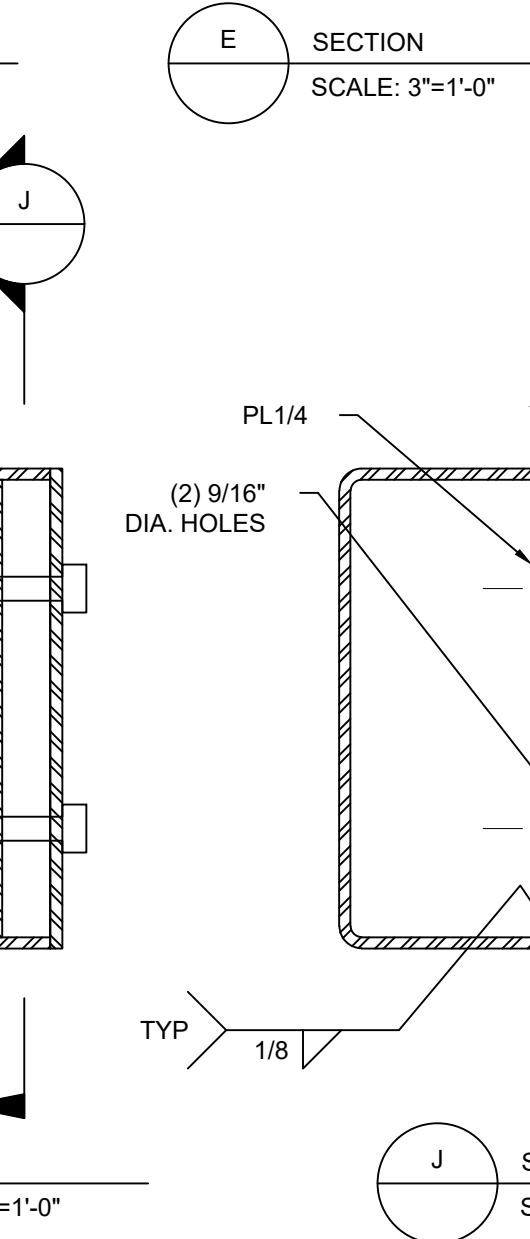
**E SECTION**  
SCALE: 3"=1'-0"



**A SECTION**  
SCALE: 3"=1'-0"



**H SECTION**  
SCALE: 3"=1'-0"



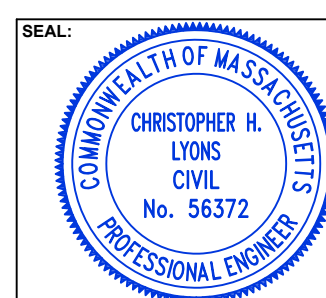
**J SECTION**  
SCALE: 3"=1'-0"

**NOTES**  
1. REFER TO DRAWING C300-0 FOR STRUCTURAL NOTES

**DRAWING REFERENCE(S)**  
STRUCTURAL NOTES C300-0

**EQUIPMENT REFERENCE(S)**  
VOLTAGE TRANSFORMER: GE MODEL JVT-150 SUPERBUTE CATALOG NUMBER 766x030006  
DISCONNECT SWITCH: 25kV SM-4 POWER FUSE DISCONNECT CATALOG NUMBER 192323-SP

**NEW DRAWING**



**FOWLERS LANE SUBSTATION No.5**  
LIGHTSHIFT BESS UPGRADES  
IPSWICH ELECTRIC LIGHT DEPT  
IPSWICH, MASSACHUSETTS

SCALE: 3/16" = 1'-0" SIZE: ANSI D

DATE: 10/27/25  
DRAWN BY: RLC/BTK  
ENGINEER BY: RLC/JWL  
PROJECT #: 25337  
DRAWING #: 919506-C301-0

REV	DESCRIPTION	DATE	BTK DRWN	CHL CHKD	CHL APRVD
0	ISSUED FOR CONSTRUCTION	02/20/26			