

NOTES:

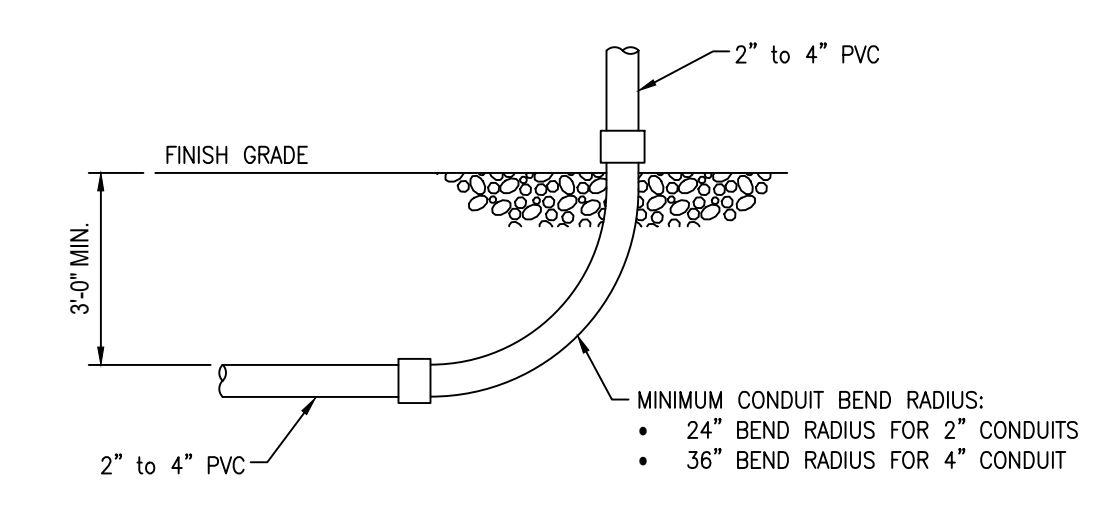
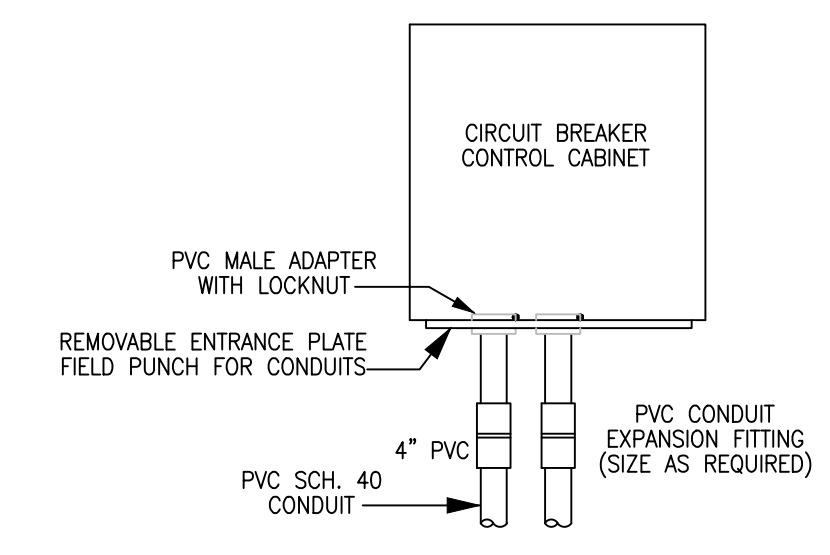
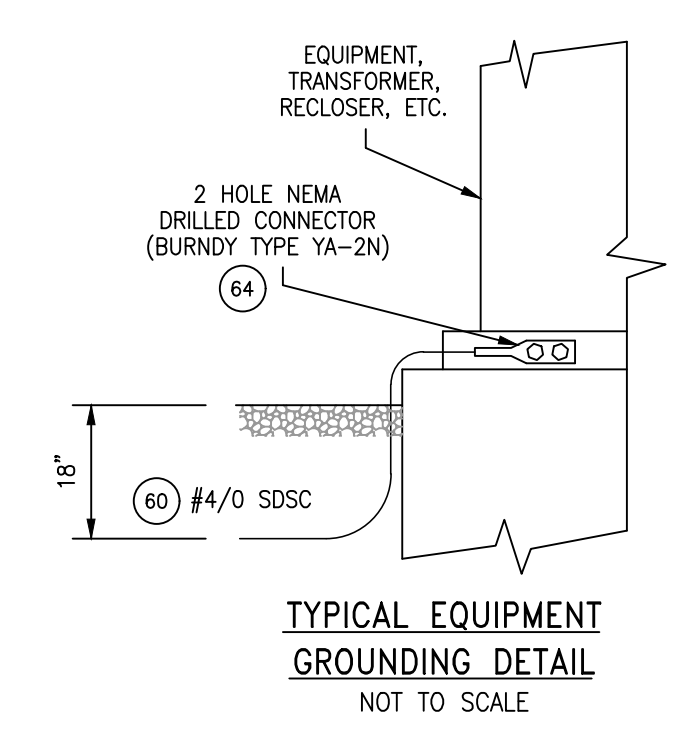
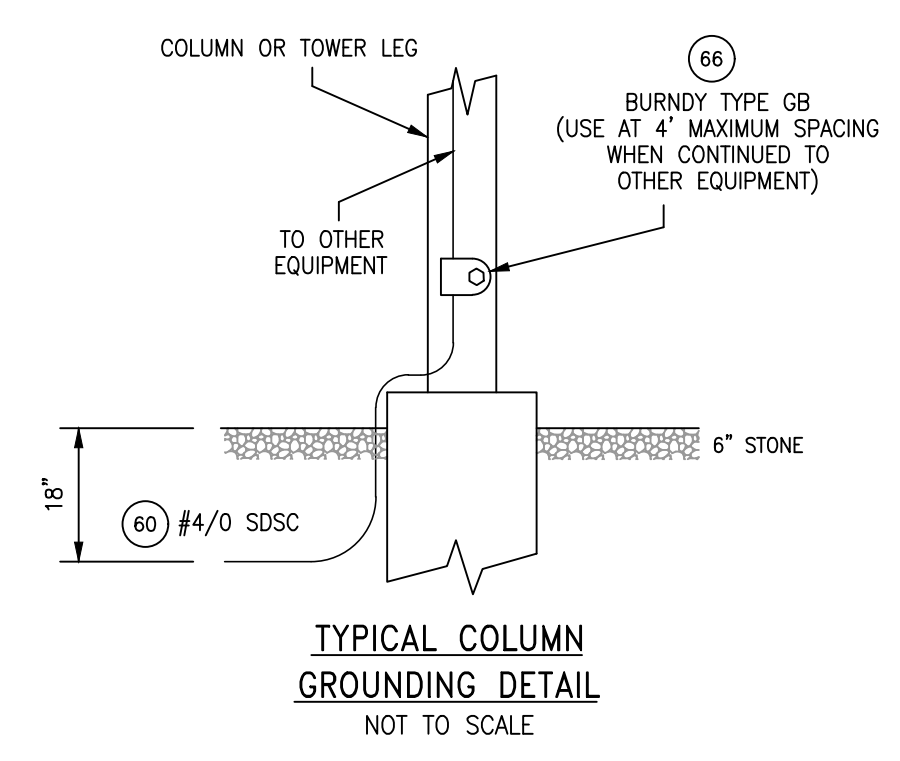
1. WIRE CONDUCTOR MINIMUM BEND RADIUS TO BE INSTALLED AT A RADIUS NO LESS THAN:
 *4/0 AWG BARE COPPER 8"
2. CONDUITS "STUBBED-UP" FOR RISERS SHALL EXTEND A MINIMUM OF 6" ABOVE FINISH GRADE AND BE CAPPED TO PREVENT DIRT OR WATER ENTRY.
3. ALL PVC CONDUIT SHALL BE SCHEDULE 40 AND PLACED A MINIMUM OF 3'-0" BELOW FINISH GRADE AND BE BEDDED IN CLEAN SAND WITH 6" ALL AROUND CONDUIT AND TAMPED.
4. A MINIMUM OF 6" SHALL BE MAINTAINED BETWEEN ALL CONDUIT RUNS WHERE CROSSING OCCURS.

CONSTRUCTION NOTES:

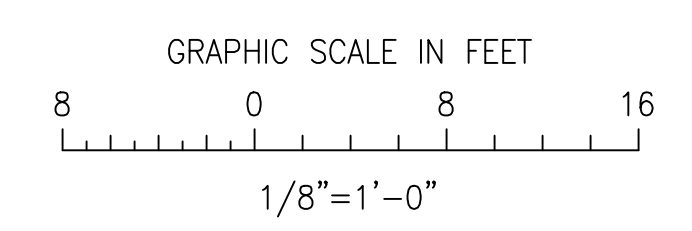
1. DAMAGED TRENCH SHALL BE REMOVED AND REPLACED.

LEGEND:

- BURIED GRID CONNECTOR (WELDED) (62)
- 3/4" x 8" GROUND ROD AND GRID CONDUCTOR (61) (63)
- NEW 4/0 AWG, 19 STR. BARE CU., GROUND GRID CONDUCTOR
- EQUIPMENT OR STRUCTURE GROUND CONDUCTOR TURNOUT LEAVE 5' ABOVE CONCRETE UNLESS NOTED
- EXISTING 4/0 AWG, 19 STR. BARE CU., GROUND GRID CONDUCTOR
- EXISTING 3/4" x 15" GROUND ROD AND GRID CONDUCTOR



NEW WORK SHOWN CIRCLED



DATE	BY	NO.	REVISIONS
06/05/26	RLC/CJL	4	RE-IFC - REBUILD OF CONTROL HSE WO#6306603-5819-36204
02/20/26	RLC/CEH	3	ISSUED FOR CONSTRUCTION - REBUILD OF CONTROL HSE WO#6306603-5819-36204
9/30/08	GJP	2	ADDED 23KV CBV 23T1 AND SCADA CONDUITS
7/01/03	MB	1	AS BUILT

PLM ELECTRIC POWER ENGINEERING
 35 MAIN STREET (508) 435-0200 HOPKINTON, MA 01748

DRAWN: KSS
 CKD: MCB
 APPD:
 DATE:
 SCALE: 1/8"=1'-0"

IPSWICH MUNICIPAL LIGHT DEPARTMENT
 IPSWICH, MASSACHUSETTS
 FOWLERS LANE SUBSTATION No. 5
CONDUIT AND GROUNDING PLAN
 NO. 191506-E450-4